

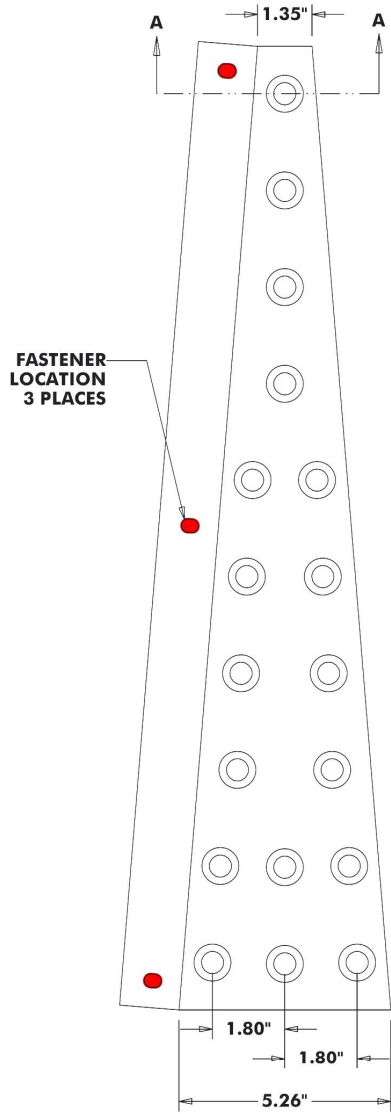
15R WET SET (REPLACEABLE)

CAST IRON DETECTABLE WARNING TILE

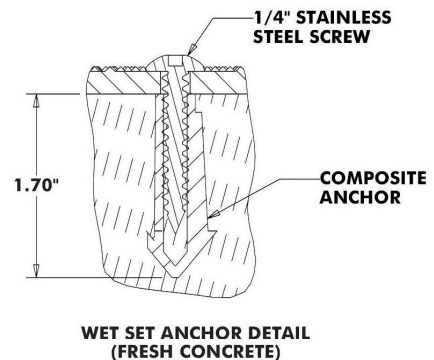
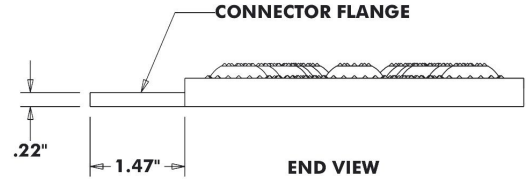
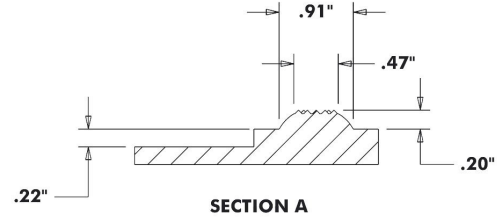
2.350 DOME SPACING

DRW NO	TTC115RW-WS-XXX	DRAWN	GM	DATE	12-30-20
TOLERANCE	+/- 0.050	SCALE	REV	DATE	

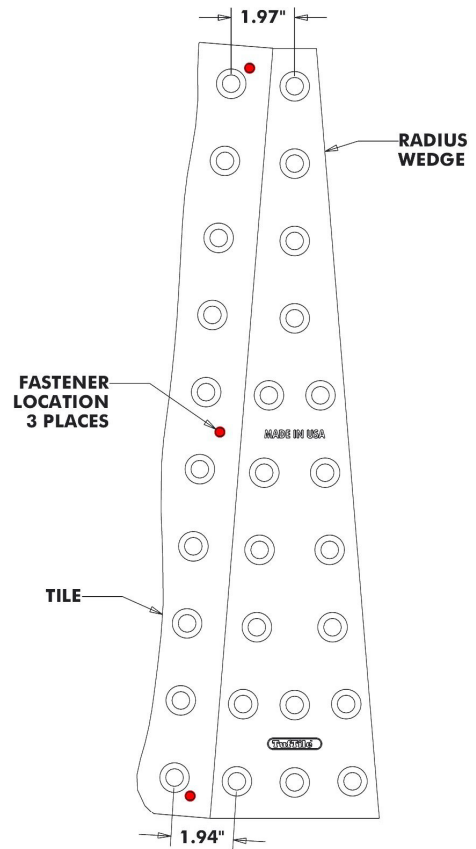
NOTES:
"XXX" DESIGNATES COLOR



RADIUS - WEDGE TILE



WET SET ANCHOR DETAIL (FRESH CONCRETE)



CONNECTED VIEW

