

# 12" X 12" WET SET (REPLACEABLE)

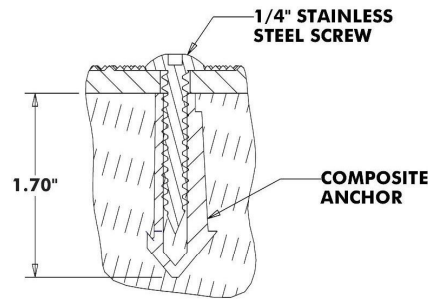
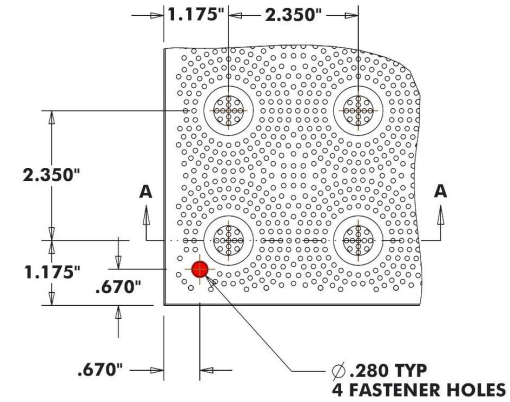
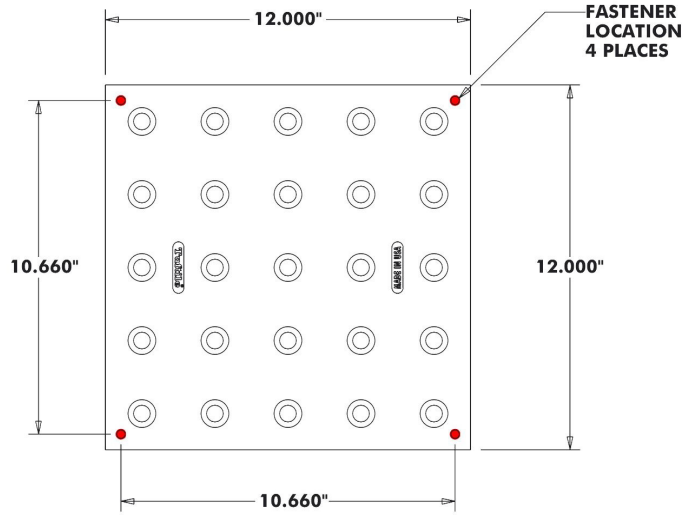
CAST IRON DETECTABLE WARNING TILE

2.350 DOME SPACING

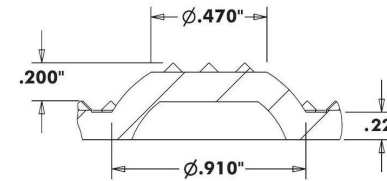


DRW NO	<b>TTCI1212-WS-XXX</b>	DRAWN	<b>GM</b>	DATE	<b>12-30-20</b>
TOLERANCE	<b>+/- 0.050</b>	SCALE		REV	DATE

NOTES:  
"XXX" DESIGNATES COLOR



WET SET ANCHOR DETAIL  
(FRESH CONCRETE)



SECTION A-A



TufTile.com

1-888-960-8897

905 Telser Road, Lake Zurich, IL 60047

©2021 TufTile, Inc. All Rights Reserved. V2.0